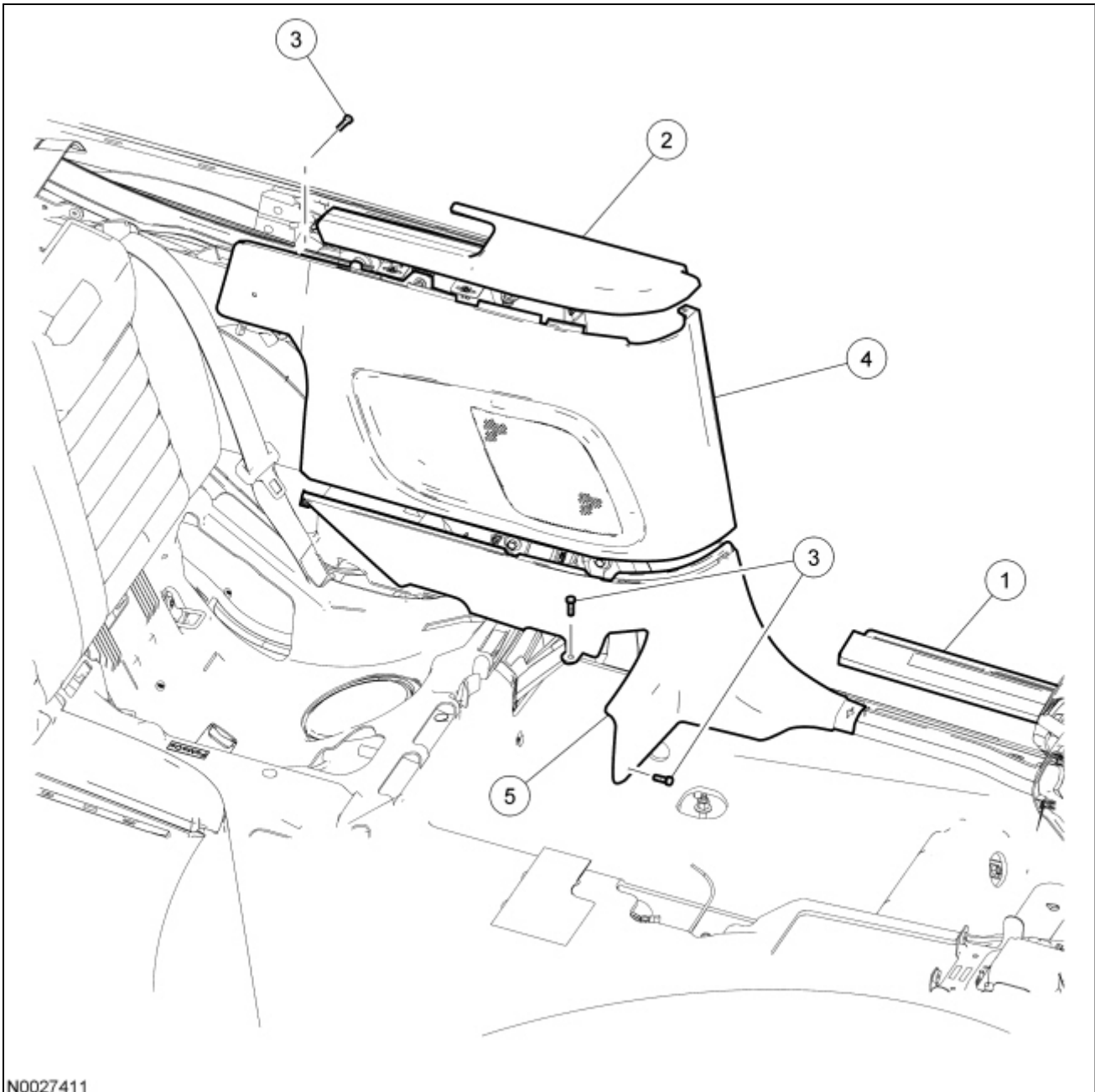


Quarter Trim Panel — Convertible



N0027411

| Item | Part Number | Description |
|------|--------------------|--|
| 1 | 13208 RH/ 13209 LH | Door scuff plate |
| 2 | 31004 RH/ 31005 LH | Upper quarter trim panel cap |
| 3 | 390018 | Quarter trim panel pin-type retainers (3 required) |
| 4 | 31112 RH/ 31113 LH | Upper quarter trim panel |
| 5 | 31012 RH/ 31013 LH | Lower quarter trim panel |

Removal and Installation

NOTE: This procedure must be performed with the roof up, in order to access the retainers.

1. Remove the door scuff plate.

2. Remove the upper quarter trim panel cap.
 3. Remove the rear seat cushion. For additional information, refer to [Section 501-10](#).
 4. Remove the pin-type retainer and the upper quarter trim panel.
 5. Remove the 2 pin-type retainers and the lower quarter trim panel.
 6. To install, reverse the removal procedure.
-